

. % 8 7 + 5 8 . % 8

v(OHFWULFDO & KDUDFWHULVWV RWKHU^ΔLVH VSHFLILHG

3\$5\$0(7(5	6<0%2	81,7	7(67 & 21',7,2	.%8	.%8	.%8	.%8	.%8	.%8	.%8
0D[LPXP LQVWDQW IRUZDUG YROWDJH	DQHRXV GURS SHU	9	GLRGH \$							
0D[LPXP '& UHYHUV UDWHG '& EORFNLOJ GLRGH	H FXUUHQW YROWDJH	7M -	SHU							
7\SLFDO MXQFWLRQ	FDSDFLW	0HDVXUHG DW 0+]	DOFH \$SSO&MIG 5HSXUVH							
			9ROWDJH RI 9' &							

v7KHUPDO & KDUDFWHULVWV RWKHU^ΔLVH VSHFLILHG

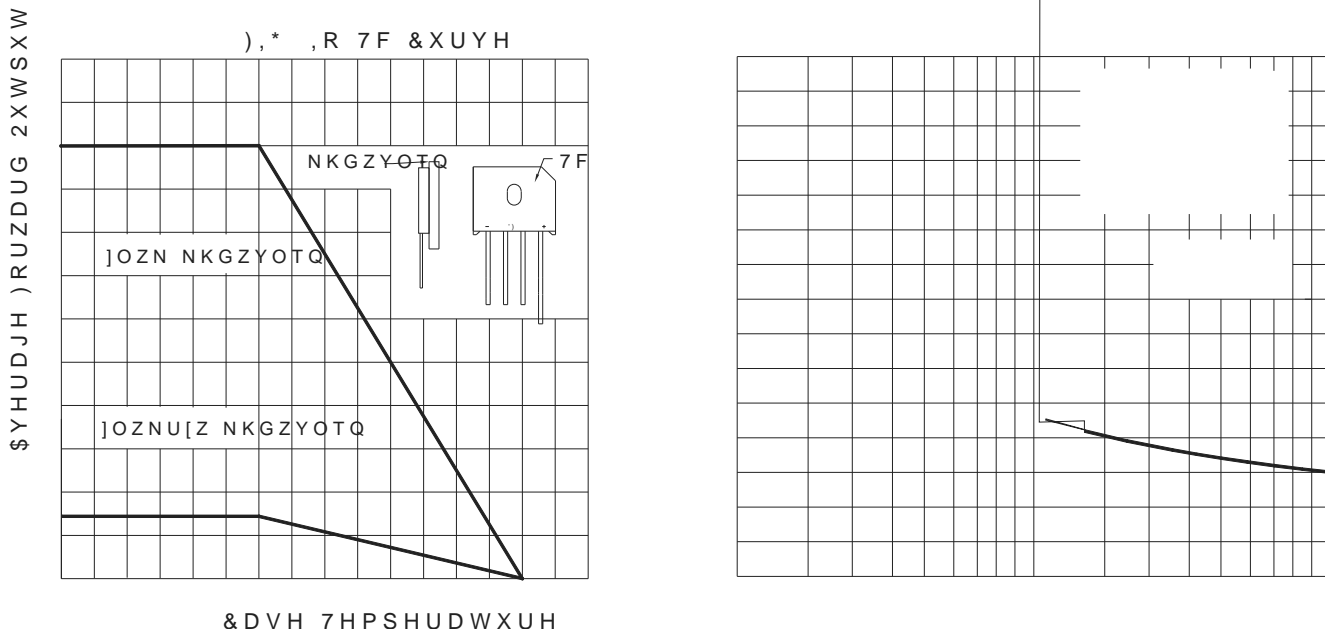
3\$5\$0(7(5	6<0%2	81,7	.%8	.%8	.%8	.%8	.%8	.%8	.%8	.%8
7\SLFDO 7KHUPDO	%HWZHHQ MXQFWLRQ :LWKRXW KHDWVLRQ	5 - \$	DQG DPDLHQW							
5HVLVWDQFH	%HWZHHQ MXQFWLRQ :LWK KHDWVLRQ	5 - \$	& FDVH							

1RWH 'HYLFH PRXQWHG RQ PP [PP [VLPQ\$OXPLQXP 3ODWH +HDW

v2UGHULQJ , QIR(QDB\$ORQ

35() (5(' 3 1	3\$&.\$*(& 2'	81,7 : (,*+7	0,1,,080 3\$&.\$*(SF	,11(5 %2; 48\$17,7< S	287(5 & \$572 48\$17,7< S	'(/,9(5< 02'(
.%8	a .%8	\$	\$SSUR[LPDWH			BDSHU

v & KDUDFWHULVWV WDV

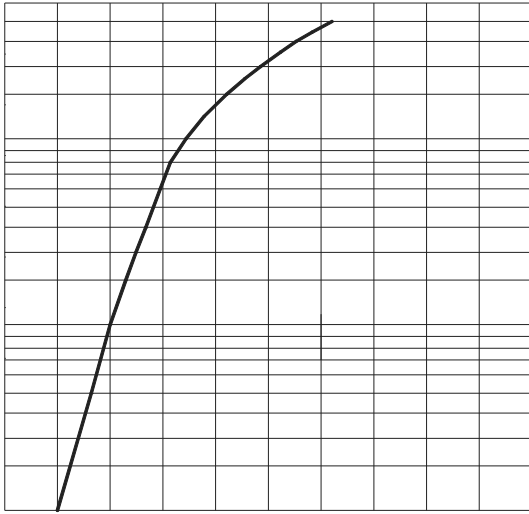


,QVWDQWDQHRXV)RUZDUG &XUJHQW \$

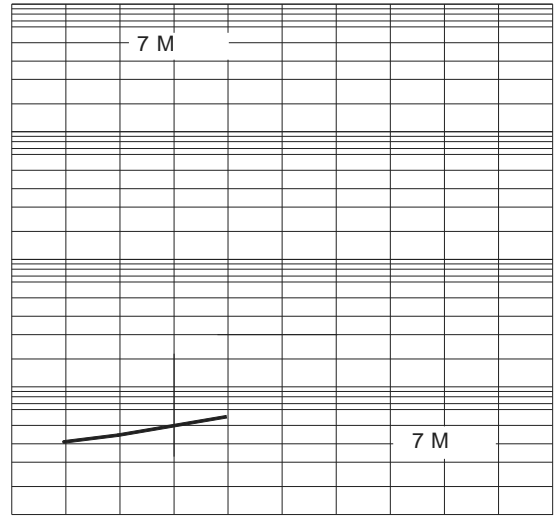
.% 8

X\$
7 + 5 8 .% 8
XUJHQW
5HYHUVH

),* 7\SLFDO)RUZDUG 9ROWDJH

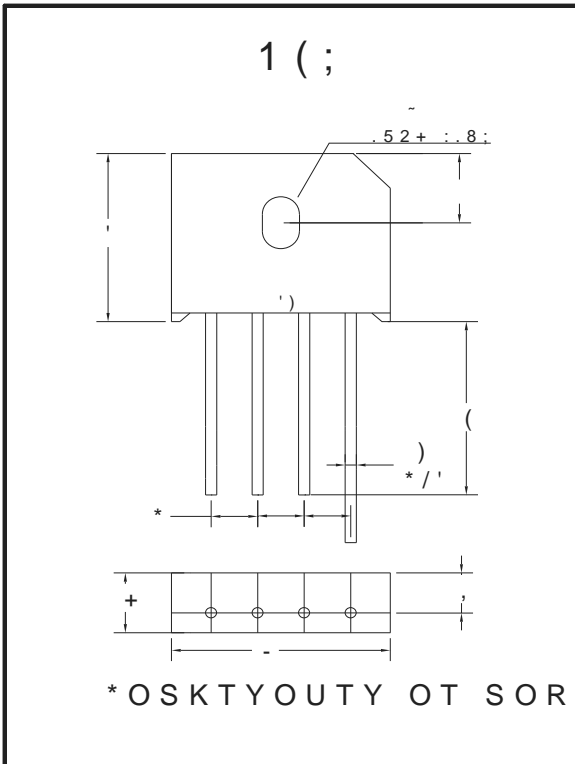


),* 7\SLFDO 5HYHUVH &KDUDFWHULVW



,QVWDQWDQHRXV)RUZDUG 9ROWDJH 93HUFHQW RI 5DWHG 3HDN 5HYHUVH 9RO

v 2XWOLQH 'LPHQVLRQV



.% 8		
'LP	0LQ	0D
\$		
%		
&		
'		
(
)		
*		

'LVFODLPHU

7KH LQIRUPDWLRQ V GHVFXQWV LQ WKH UDQGHU JKRQF HDUHQW ZH F (HQHFWUR Q&R /VHG UHV
ULJKW WR PDNLHWKRXW IRU VSHFIRU RYVSLRQG R F WV GLV SFDU RYGHKUHU GILD E W G M V L J X Q F
RU RWKHU ZLVH

7KH SURGXFW Q LV VGHV IKJHGL WR EH HXVHG WZLWKL R UG X Q S R H Q W RU GHYLFH W K D Q G Q
HTXLSPHQW RU GHYLFHV ZKLFK UHTX LW KHKE D O I O Z L W M L R R X I H C G E D E H C H W K D F K Q D O L I H
PHGLFDO LQVWUXFXM S R U W H D W L R Q H U T R X L S E P H R X F K I H D U U H D F W R H U F F R Q W U R R O O H W V D Q
GHYLFHV < D Q J M L H L R V D H K B Q H B Q V X R I O V Q R R W H O S B R L V Q I E W H V R O V D I Q Q J G I D R P J M M F K L P
R I V D O H

7KLV SXEOLFDFWLRQ S O X S F H U W I D G I O V L Q U R O J P D X S L S Q L S G H Y R U X D G G L W L R Q D O L Q W R H U P D W L R
K W V Z Z \ D Q J M L H R R R P R Q V X O W \ R X U Q H D U H V W < D Q J M L V M I D Q V D H O H V R I I L F H I R U I X U W